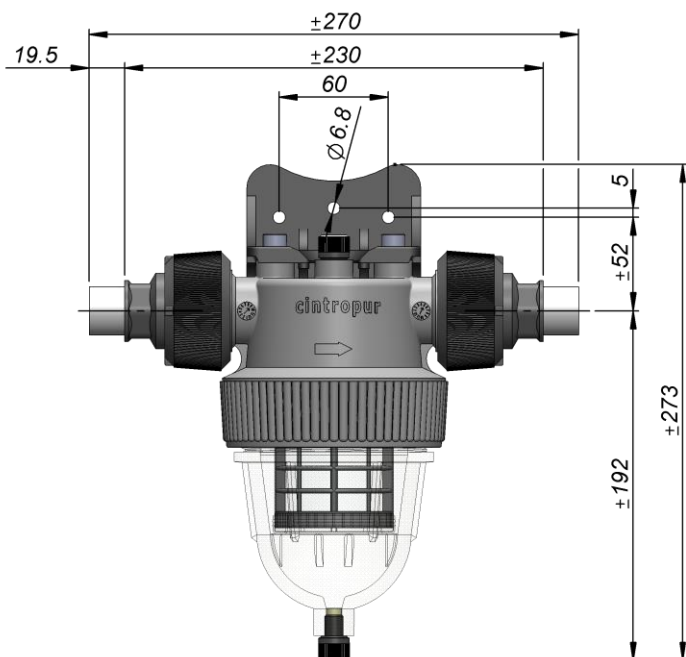
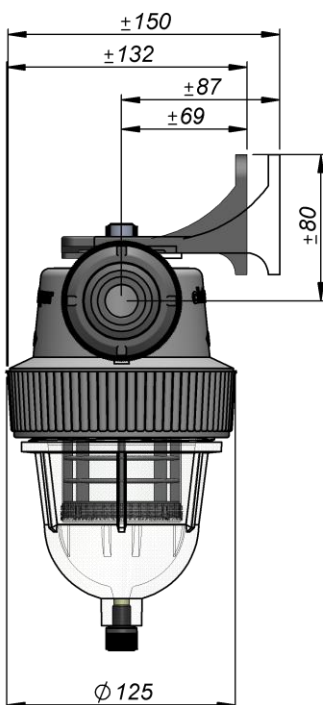


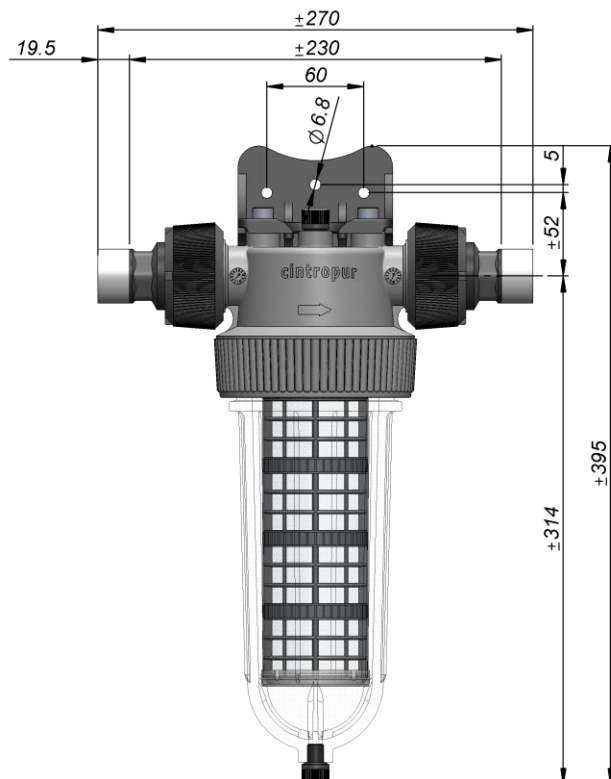
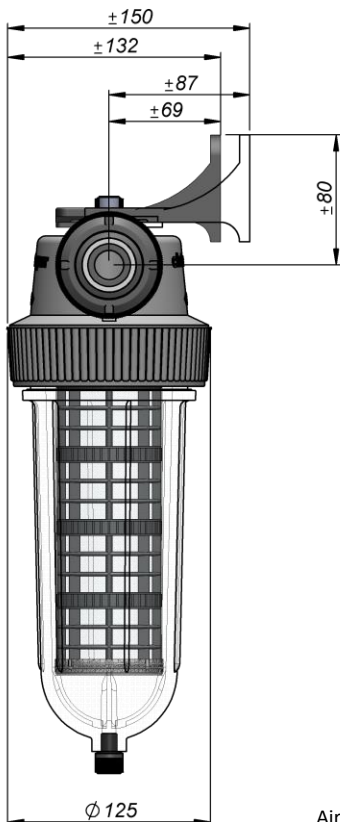


| | |
|--|--|
| Filter type: | NW18 |
| Connection diameter: | 3/4" |
| Average flow rate (m³/h): | 3,5 at ΔP 0,2 bar |
| Working pressure (bar): | 10 |
| Max. operating pressure (bar): | 16 |
| Max. operating temperature (°C): | 50 |
| Weight (kg): | 1,1 / 1,5 (with packaging) |
| Packaging in mm (L x W x H): | 260 x 193 x 183 |
| Quantity / pallet (units): | 96 |
| Filter head: | Polypropylene (PP) + 20% GF |
| Bowl: | SAN |
| Filtering support: | PP + 20 % GF |
| Seals: | O-ring butadiene-acrylonitrile (NBR) |
| Centrifugal vane + cap: | Polyethylene (PE) |
| Drain screw: | Polyamide (PA) + polyester (2K) |
| Wrench: | ABS |
| Filtering sleeve: | Polyester |
| Filtration surface (cm²): | 190 |
| Original equipment: | Filtering sleeve 25 µm, wrench+ 2 connections 3/4" |
| Options: | Wall fixation in PP + 30% GF, drain-cock 1/4" made of nickel-plated brass and pressure gauges 1/8" made of brass |
| Filtering fineness available (µm): (packs of 5 sleeves) | Non-washable : 5 - 10 - 25 - 50 - 100 |



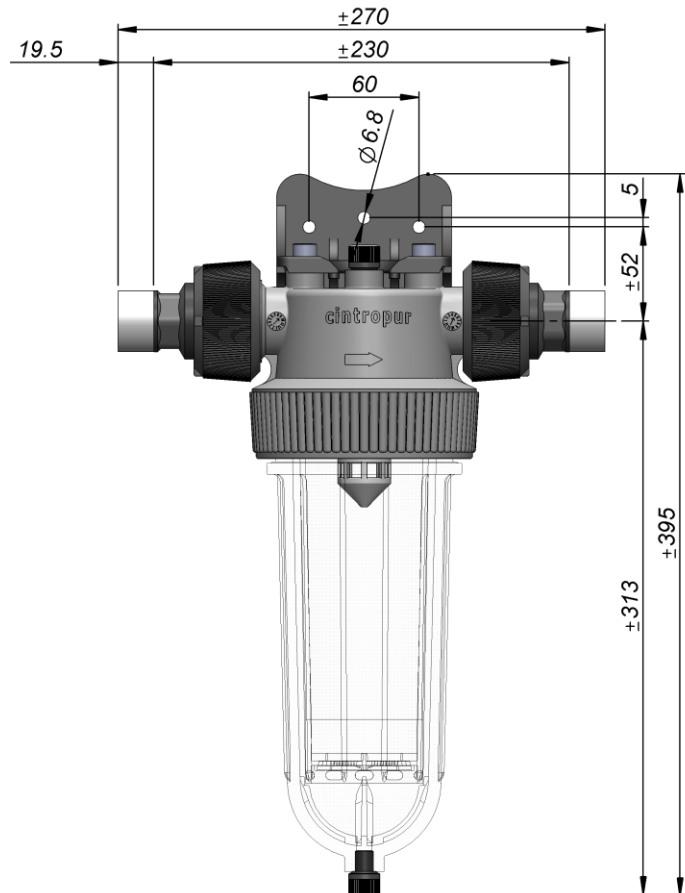
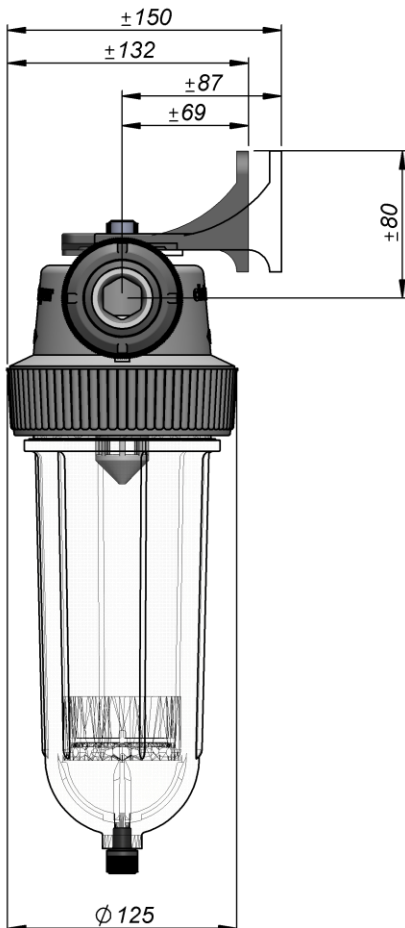


| | |
|------------------------------------|--|
| Filter type: | NW25 |
| Connection diameter: | ¾" or 1" |
| Average flow rate (m³/h): | 5,5 at ΔP 0,2 bar |
| Working pressure (bar): | 10 |
| Max. operating pressure (bar): | 16 |
| Max. operating temperature (°C): | 50 |
| Weight (kg): | 1,23 / 1,65 (with packaging) |
| Packaging in mm (L x W x H): | 385 x 160 x 140 |
| Quantity / pallet (units): | 112 |
| Filter head: | Polypropylene (PP) + 20% GF |
| Bowl: | SAN |
| Wrench: | ABS |
| Seals: | O-ring butadiene-acrylonitrile (NBR) |
| Centrifugal vane + cap: | Polyethylene (PE) |
| Drain screw: | Polyamide (PA) + Polyester (2K) |
| Filtering support: | PP + 20% GF |
| Filtering sleeve: | Polyester (non-washable) or nylon (washable) |
| Filtration surface (cm²): | 450 |
| Original equipment: | Filtering sleeve 25 µm, wrench, 2 connections ¾" or 1" |
| Options: | Wall fixation in PP + 30% GF, drain-cock ¼" made of nickel-plated brass and pressure gauges 1/8" made of brass |
| Filtering fineness available (µm): | Non-washable : 1 - 5 - 10 - 25 - 50 - 100 |
| (packs of 5 sleeves) | Washable : 150 - 300 |



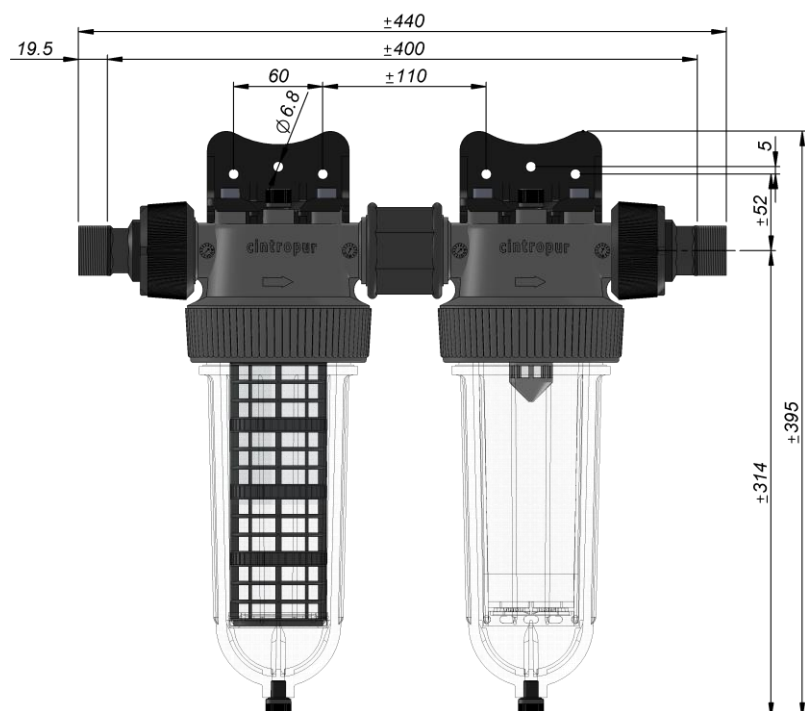
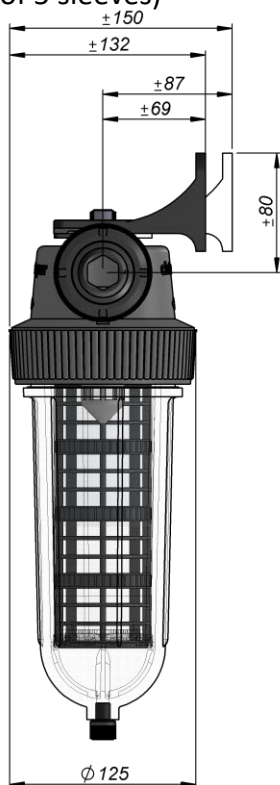


| | |
|-------------------------------------|--|
| Filter type: | NW25 TE-CTN |
| Connection diameter: | 1" |
| Average flow rate (m³/h): | 0,5 at ΔP 0,2 bar |
| Working pressure (bar): | 10 |
| Max. operating pressure (bar): | 16 |
| Max. operating temperature (°C): | 50 |
| Weight (kg): | 1,3 / 1,8 (with packaging) |
| Packaging in mm (L x W x H): | 385 x 160 x 140 |
| Quantity / pallet (units): | 112 |
| Filter head: | Polypropylene (PP) + 20% GF |
| Bowl: | SAN |
| Wrench: | ABS |
| Seals: | O-ring butadiene-acrylonitrile (NBR) |
| Drain screw: | Polyamide (PA) + Polyester (2K) |
| CTN container capacity (litres): | 0,57 |
| CTN container for activated carbon: | SAN (body) 0,6 mm + PP with 20% GF (cap) 0,3mm |
| Original equipment: | empty CTN + wrench + 2 connections 1" |
| Option: | Wall fixation in PP + 30% GF |





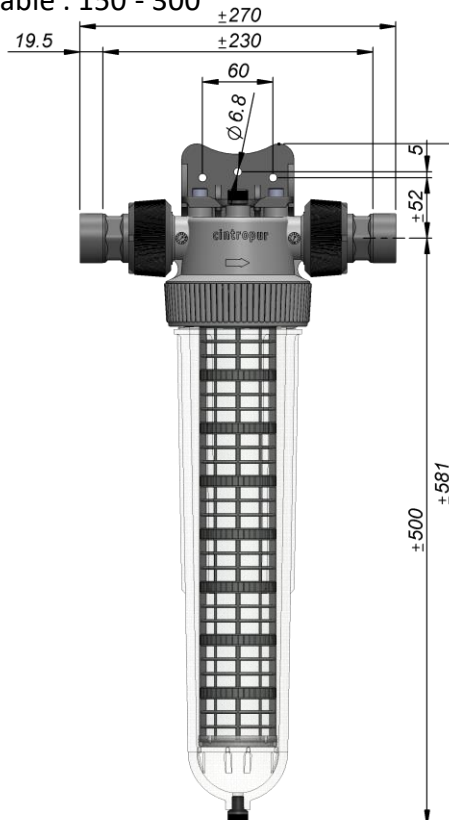
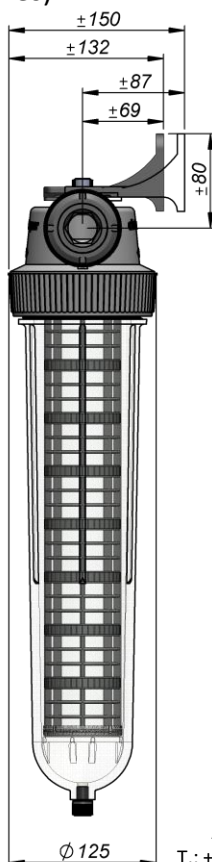
| | |
|-------------------------------------|--|
| Filter type: | NW25 DUO-CTN |
| Connection diameter: | ¾" and 1" |
| Average flow rate(m³/h): | 0,5 at ΔP 0,2 bar |
| Working pressure (bar): | 10 |
| Max. operating pressure (bar): | 16 |
| Max. operating temperature (°C): | 50 |
| Weight (kg): | 3,2 / 3,7 (with packaging) |
| Packaging in mm (L x W x H): | 380 x 330 x 135 |
| Quantity / pallet (units): | 54 |
| Filter head: | Polypropylene (PP) + 20% GF |
| Bowl: | SAN |
| Wrench: | ABS |
| Seals: | O-ring butadiene-acrylonitrile (NBR) |
| Centrifugal vane + cap: | Polyethylene (PE) |
| Drain screw: | Polyamide (PA) + Polyester (2K) |
| Filtering support: | PP + 20% GF |
| Filtering sleeve: | Polyester (non-washable) or nylon (washable) |
| CTN container for activated carbon: | SAN (body) 0,6 mm + PP with 20% GF (cap) 0,3mm |
| Filtration surface / capacity: | 440 cm² with sleeve + 0,57 L activated carbon |
| Original equipment: | Sleeve 25 µm, CTN filled with activated carbon, 1 wrench, 2 wall fixations PP + 30% GF + 2 connections ¾" + 2 connections 1" drain-cock ¼" made of nickel-plated brass, pressure gauges 1/8" made of brass |
| Options: | |
| Filtering fineness available (µm): | Non-washable : 1 - 5 - 10 - 25 - 50 - 100 |
| (packs of 5 sleeves) | Washable : 150 - 300 |





| | |
|------------------------------------|---|
| Filter type: | NW32 |
| Connection diameter: | 1 ¼" |
| Average flow rate (m³/h): | 6,5 at ΔP 0,2 bar |
| Working pressure (bar): | 10 |
| Max. operating pressure (bar): | 16 |
| Max. operating temperature (°C): | 50 |
| Weight (kg): | 2,1 / 2,3 (with packaging) |
| Packaging in mm (L x W x H): | 560 x 165 x 140 |
| Quantity / pallet (units): | 64 |
| Filter head: | Polypropylene (PP) + 20% GF |
| Bowl: | SAN |
| Wrench: | ABS |
| Filtering support: | PP + 20% GF |
| Seals: | O-ring butadiene-acrylonitrile (NBR) |
| Centrifugal vane + cap: | Polyethylene (PE) |
| Drain screw: | Polyamide (PA) + Polyester (2K) |
| Filtering sleeve: | Polyester (non-washable) or nylon (washable) |
| Filtration surface (cm²): | 840 |
| Original equipment: | Filtering sleeve 25 µm, wrench, 2 connections 1 ¼" |
| Options: | Wall fixation in PP + 30% GF, drain-cock ¼" made of nickel-plated brass, pressure gauges 1/8" made of brass |
| Filtering fineness available (µm): | Non-washable : 1 - 5 - 10 - 25 - 50 - 100 Washable : 150 - 300 |

Filtering fineness available (µm):
(packs of 5 sleeves)



| | |
|----------------------------------|--|
| Filter type: | NW32TE |
| Connection diameter: | 1 ¼" |
| Average flow rate (m³/h): | 0,5 at ΔP 0,2 bar |
| Working pressure (bar): | 10 |
| Max. operating pressure (bar): | 16 |
| Max. operating temperature (°C): | 50 |
| Weight (kg): | 2,1 / 2,4 (with packaging) |
| Packaging in mm (L x W x H): | 560 x 165 x 140 |
| Quantity / pallet (units): | 64 |
| Filter head: | Polypropylene (PP) + 20% GF |
| Bowl: | SAN |
| Wrench: | ABS |
| Seals: | O-ring butadiene-acrylonitrile (NBR) |
| Drain screw: | Polyamide (PA) + Polyester (2K) |
| Bowl capacity (litres): | 1,7 |
| Tube + strainer: | Stainless steel sheet – inlet 1,1 mm & strainer – inlet 0,3 mm |
| Original equipment: | Tube + strainer, wrench + 2 connections 1 ¼" |
| Option: | Wall fixation in PP + 30% GF |

